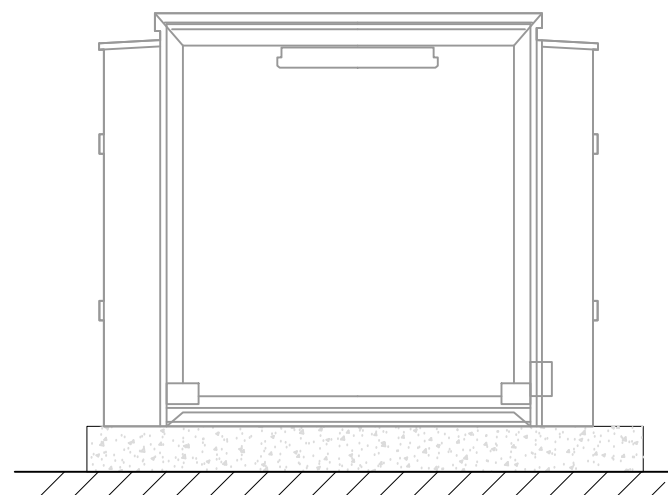
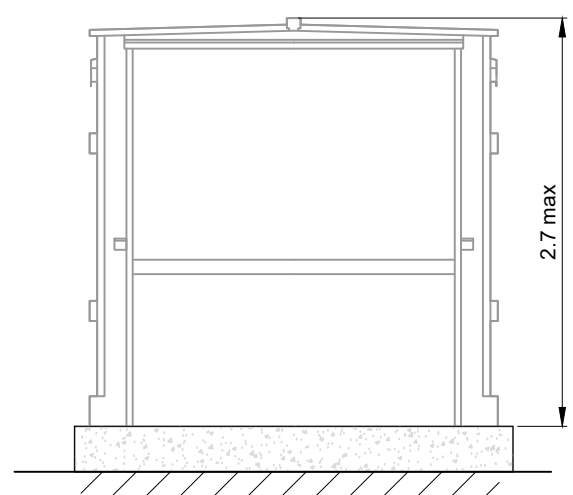


PLAN  
SCALE 1:50

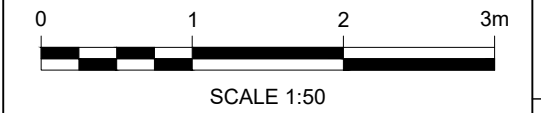


ELEVATION A  
SCALE 1:50



ELEVATION B  
SCALE 1:50

- NOTES:
1. ALL DIMENSIONS ARE IN METRES UNLESS OTHERWISE STATED.
  2. DETAILS SHOWN ARE TYPICAL AND ARE SUBJECT TO DETAILED DESIGN.
  3. ALL DIMENSIONS ARE APPROXIMATE AND SUBJECT TO DETAILED DESIGN.



ISSUE	DRAWN	CHKD	APPD	DATE	REVISION NOTES
1	BM	AP	PD	2024-02-28	FIRST ISSUE
PURPOSE					COORDINATES
PLANNING					N/A
SCALE					DATUM
1:50 @A3					N/A
LAYOUT DRAWING					T-LAYOUT NO
N/A					N/A

PROJECT TITLE  
**KILLYMALLAGHT  
ENERGY STORAGE FACILITY**

DRAWING TITLE  
**PRE INSERTION RESISTOR**

RES DRAWING NUMBER	REV
<b>05195-RES-SUB-DR-PT-003</b>	<b>1</b>

THIS DRAWING IS THE PROPERTY OF RENEWABLE ENERGY SYSTEMS LIMITED AND NO REPRODUCTION MAY BE MADE IN WHOLE OR IN PART WITHOUT PERMISSION



BEAUFORT COURT,  
EGG FARM LANE,  
KINGS LANGLEY,  
HERTS WD4 8LR, UK  
TEL +44 (0) 1923 299200  
WWW.RES-GROUP.COM